

Checklist and reference guide

Anatomical requirements:

Proximal seal zone

- ≤ 60° angulation
 - ≥ 20 mm length
 - 22–29 mm aortic diameter (31 mm Aortic Component [AC])
- or
- 27–34 mm aortic diameter (37 mm AC)

Visceral aortic segment

(3 cm above and 9.5 cm below most proximal branch vessel)

- ≥ 20 mm diameter

Celiac artery and superior mesenteric artery (SMA) branches

- 5–12 mm vessel diameter
- ≥ 15 mm length landing zone (~3 GORE® VIABAHN® VBX Balloon Expandable Endoprosthesis [VBX Stent Graft] stent rows) into vessel
- 5–10 mm Branch Component proximal extension beyond portal

Renal artery branches

- 4–10 mm vessel diameter
- ≥ 15 mm length landing zone (~3 VBX Stent Graft stent rows) into vessel
- 5–10 mm Branch Component proximal extension beyond portal

Common iliac artery

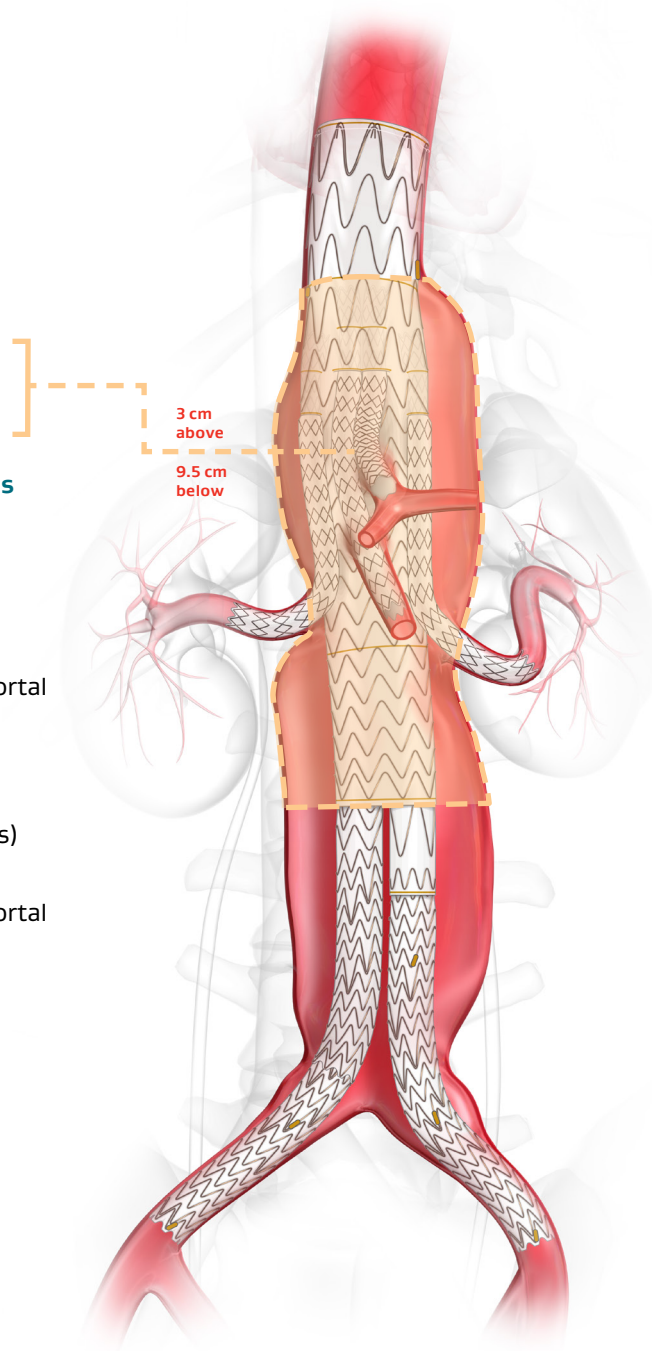
- 8–25 mm diameter
- ≥ 3 cm landing zone with 10 mm seal

Femoral access

- Main body: 22 Fr GORE® DRYSEAL Flex Introducer Sheath (8.2 mm outer diameter [OD])
- Contralateral: Fr size as needed

Axillary/brachial access

- Minimum 12 Fr GORE® DRYSEAL Flex Introducer Sheath (4.7 mm OD)



Checklist and reference guide

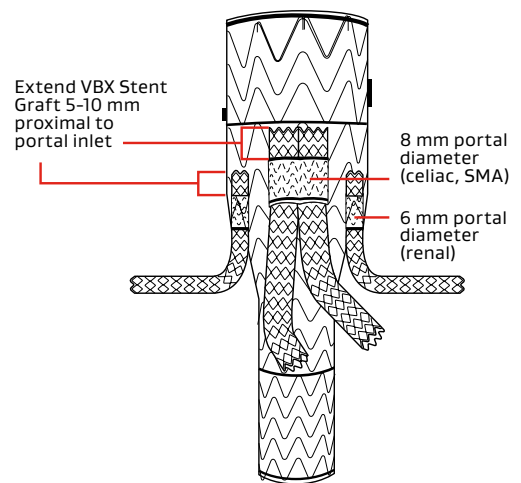
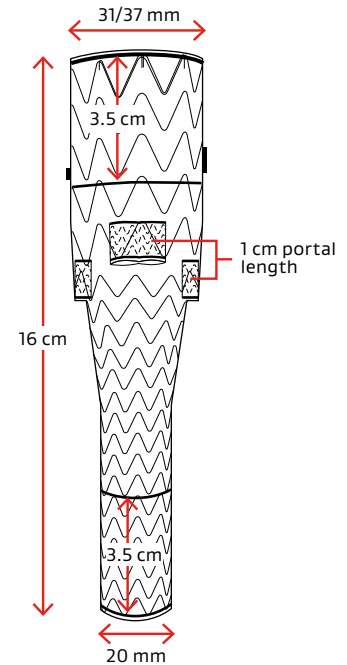
TAMBE Aortic Component features:

- Proximal diameters: 31 mm or 37 mm
- Distal diameter: 20 mm
- Total length: 16 cm
- Catheter working length: 66 cm
- Short radiopaque (RO) marker positioned on patient right
- Long RO marker positioned on patient left
- Distance between proximal gold band markers: 3.5 cm (proximal ballooning marker)
- All portals 1 cm in length
 - Celiac/SMA portals: 8 mm in diameter
 - Renal portals: 6 mm in diameter
- Extend VBX Stent Graft 5-10 mm proximal to portal inlet
- Distance between distal gold band markers: 3.5 cm (Distal Bifurcated Component [DBC] overlap marker)

- Typical removeable guidewire tube (RGT) configuration:

Short lateral RGT	Short medial RGT	Long medial RGT	Long lateral RGT
Right renal	SMA	Celiac	Left renal

- Celiac/SMA portal outlet must be placed 1-3 cm above most proximal branch vessel ostium



Consult Instructions
for Use
eifu.goremedical.com

Refer to *Instructions for Use* at eifu.goremedical.com for a complete description of all applicable indications, warnings, precautions and contraindications for the markets where this product is available. Rx only

Products listed may not be available in all markets.

GORE, *Together, improving life*, DRYSEAL, EXCLUDER, VBX, VIABAHN and designs are trademarks of W. L. Gore & Associates.

© 2024 W. L. Gore & Associates, Inc. 24AR1043-EN01 JUNE 2024